

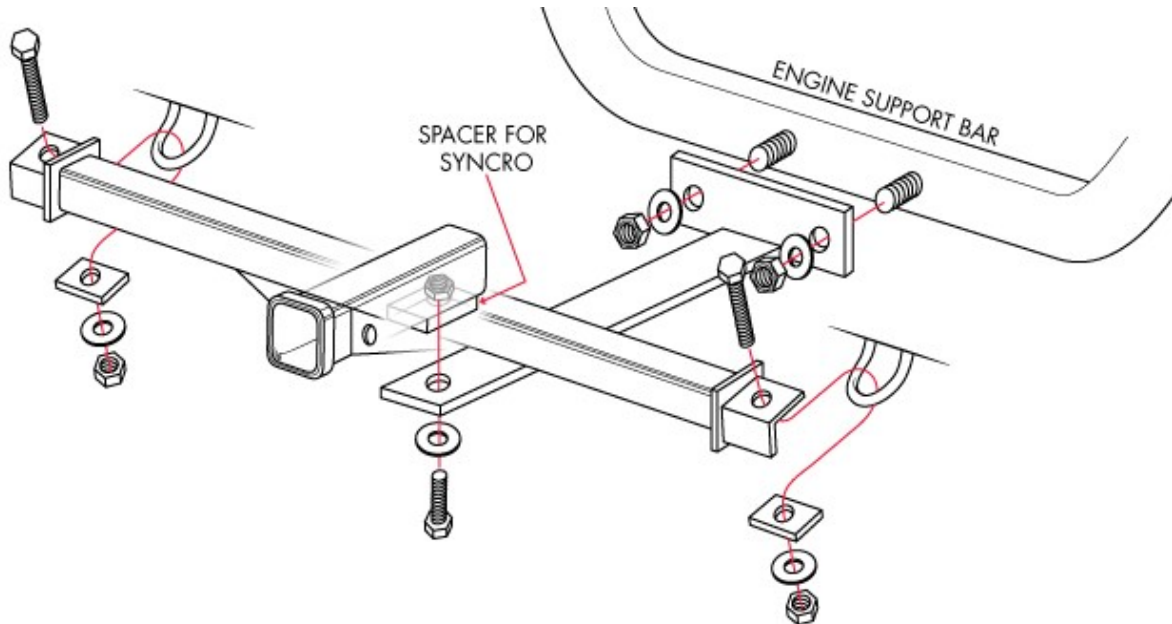


These instructions and the images herein are proprietary. Any unauthorized reproduction is prohibited.

VANO-HITCH

Trailer Hitch – 1983-1991 Vanagon w/ Stock Bumper Brackets

- Hitch mounts directly to tow loops using ½" hardware. NOTE: Bent loops can affect proper orientation and fit.
- T-bar bolts to engine support bar using 10mm bolts, washers and lock nuts. Attach to hitch with ½" bolt/washer.
- Syncros use the 1" spacer block between support bar and hitch (utilize longer ½" bolt in this application).
- Torque ½" hardware to 75 ft-lbs and 10mm hardware to 33 ft-lbs.



GoWesty Camper Products • 1119 Los Olivos Ave, Los Osos, CA 93402 • 888-469-3789 • www.gowesty.com

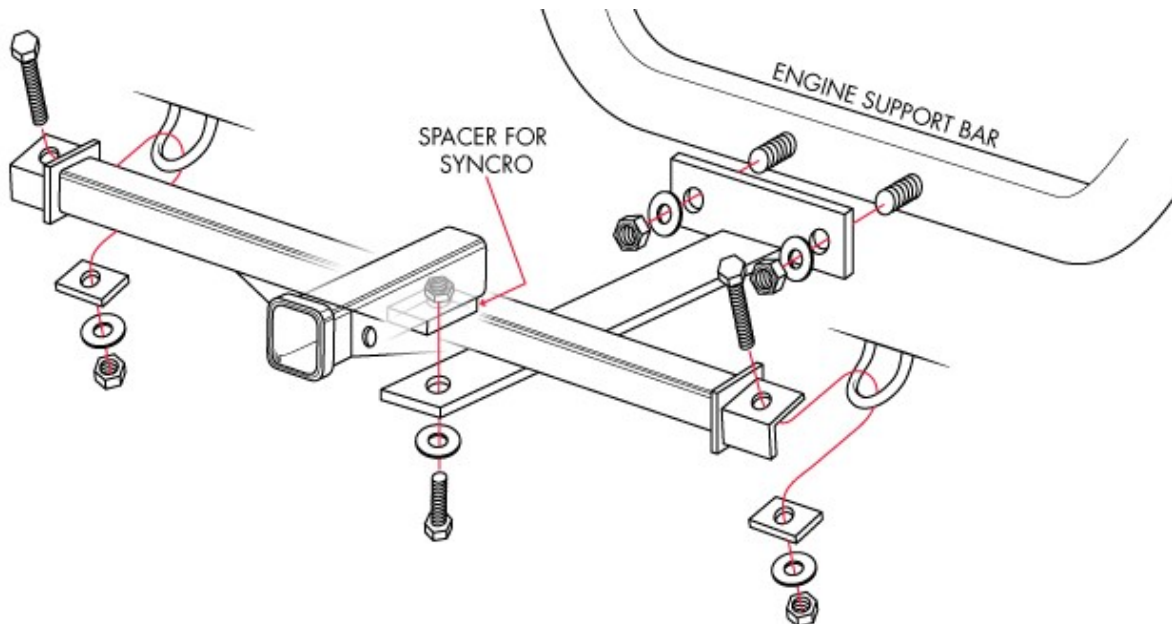


These instructions and the images herein are proprietary. Any unauthorized reproduction is prohibited.

VANO-HITCH

Trailer Hitch – 1983-1991 Vanagon w/ Stock Bumper Brackets

- Hitch mounts directly to tow loops using ½" hardware. NOTE: Bent loops can affect proper orientation and fit.
- T-bar bolts to engine support bar using 10mm bolts, washers and lock nuts. Attach to hitch with ½" bolt/washer.
- Syncros use the 1" spacer block between support bar and hitch (utilize longer ½" bolt in this application).
- Torque ½" hardware to 75 ft-lbs and 10mm hardware to 33 ft-lbs.



GoWesty Camper Products • 1119 Los Olivos Ave, Los Osos, CA 93402 • 888-469-3789 • www.gowesty.com