





These instructions and the images herein are proprietary. Any unauthorized reproduction is prohibited.

## SDL-REBUILD-BNDL

### SLIDING DOOR LATCH REBUILD KIT

1985-1991 Vanagon

If your sliding door doesn't latch well, it can pop open at the most inopportune time—like any time you're driving down the road! This can be dangerous at best... deadly at worst. We've found that this issue can usually be remedied by replacing the two internal latch springs (and giving the latch a good cleaning/greasing at the same time). Over time, the locking teeth on the internal catches can wear down, worsening the situation further. While developing this rebuild kit, we took the time to address key failure points and improve critical points of the original design.

Hardware List 	Tools Required 
<ul style="list-style-type: none"><li>(2) Posts</li><li>(1) Pair Catches, Upper and Lower</li><li>(1) Pair Springs, Upper and Lower</li><li>(2) 8mm x 35mm bolts</li><li>(2) Retaining washers</li></ul>	<ul style="list-style-type: none"><li>#3 Phillips screwdriver</li><li>3/8", 25/64", 13/32" Drill Bits (see Step 6)</li><li>8mm Socket *optional</li><li>5mm Allen wrench</li><li>Degreaser</li><li>Grease or Lube</li><li>Recommended: <a href="#">HHS-Plus Spray Grease [GW Part #0893106]</a></li></ul>

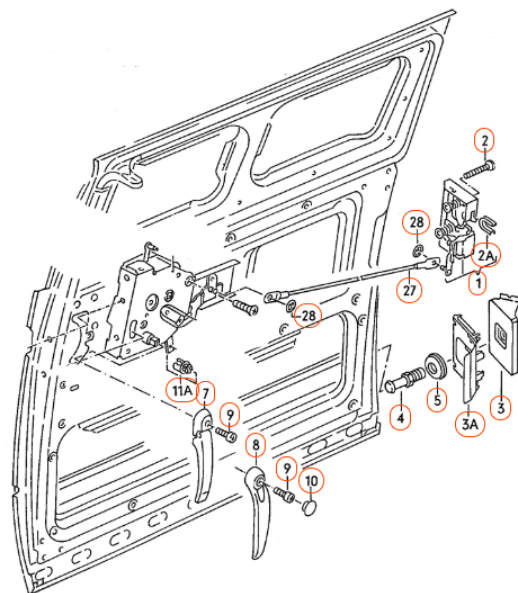
**Installation Note:** *This kit has been designed to replace worn catch components on sliding door latches for late model vanagons. Additional instructions are provided for adjusting the latch pin position which may address other latching issues. Rebuilding the latch and adjusting pin position may not address all latching issues. Not all latching issues can be remedied with this kit.*

**DISCLAIMER:** *This kit has been designed for easy installation. However, it does involve permanently modifying your factory Sliding Door Latch. The installation of this kit is **not** within everyone's ability. Read through these instructions carefully and decide if installing it is for you. If not, please take your vehicle to an automotive technician.*

## Instructions

### Uninstalling the Sliding Door Latch

- 1) Open the sliding door halfway and then remove the interior door handle. Pull back the front section of the door panel to expose the door handle actuating rod.
- 2) Unhook the latch's actuating rod from the door handle by removing the small E-clip that retains the rod to the door handle (#28 in the image to the right). Save this for reassembly. *Installation Note: this clip is very small and easy to lose track of! Take note of how this clip is mounted for reassembly.*





These instructions and the images herein are proprietary. Any unauthorized reproduction is prohibited.

## SDL-REBUILD-BNDL

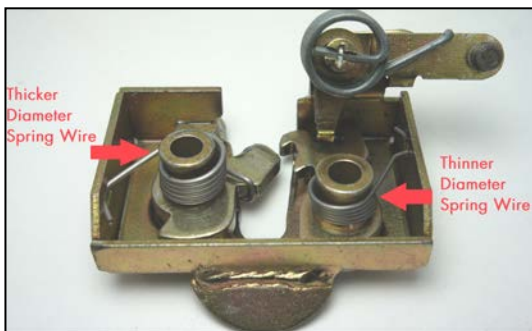
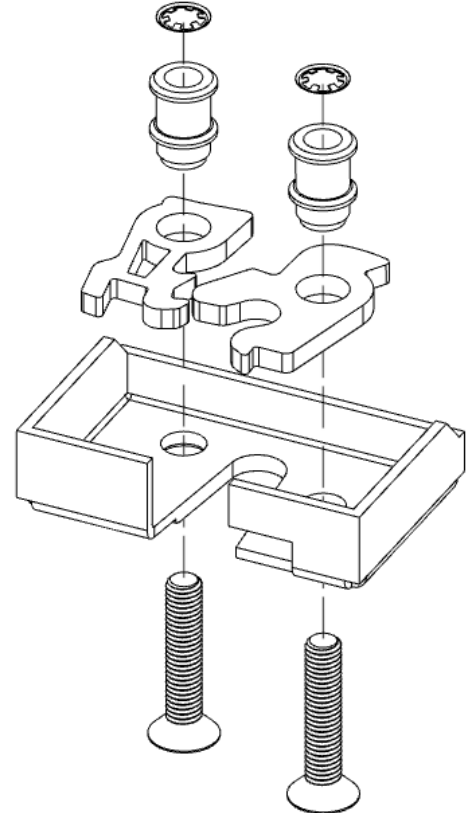
### SLIDING DOOR LATCH REBUILD KIT

1985-1991 Vanagon

- 3) Moving to the outside of the van, use a #3 Phillips screwdriver to remove the two bolts that mount the sliding door latch to the sliding door. These bolts can be tricky to remove and the bolt heads are prone to stripping. Go slowly, and use penetrating oil and a good quality #3 Phillips driver head.
- 4) Unhook the latch's actuating rod by removing the second small E-clip on this end of the actuating rod. Save this clip for reassembly.

### **Rebuilding the Latch**

- 5) Remove the old latch springs and clean the latch *thoroughly* with a degreaser of your choice.
- 6) Drill out each latch post from the back side of the latch. Removing the old posts requires removing the rolled edge of the post. Start with a 3/8" drill bit, and slowly enlarge the hole until the posts drop out, using 25/64" and 13/32" drill bits if needed. Holding the posts in a vice will prevent them from rotating while drilling. Remove the old posts and catches.
- 7) This is a good opportunity to further clean and degrease your latch body.
- 8) Assemble the latch using the rebuild kit. Start by stacking the latch over the new internal hex bolts, then stack each catch and a post onto the bolts. Press on and thread the supplied retaining washer onto each bolt and tighten the assembly. Tightening the retaining washers on each bolt now will make installing the latch to the door easier.
- 9) Install the new springs. These will install exactly the same as the factory springs.
- 10) Grease all moving parts thoroughly. We recommend [HHS-Plus Spray Grease \[GW Part #0893106\]](#), or a similar penetrating, high-pressure rated, lubricant.  
*Installation Note:* **Serious Pinch Hazard**. Please be careful and exercise common sense while testing the latch catches when sprung.





## **SDL-REBUILD-BNDL**

### **SLIDING DOOR LATCH REBUILD KIT**

1985-1991 Vanagon

---

### **Installing the Rebuilt Latch in the Sliding Door**

- 11)** Replace the actuating rod onto the latch and reinstall the small E-clip on this end of the actuating rod.
- 12)** Slide the actuating rod through the sliding door, then line up the rebuilt latch assembly with the threaded mounting holes. Press the internal hex bolts onto the mounting holes and begin to thread each bolt.
- 13)** Continue threading both bolts simultaneously, threading each bolt 1-2 turns at a time until tight.  
*Important Note:* Take care not to thread either bolt faster than the other as this may strip the threads or prevent the latch from mounting flush to the door. The installed latch should sit level against the sliding door with a about 1mm gap (standing off the thickness of the retaining washers is normal and expected).
- 14)** Moving to the inside of the van, pull back the front section of the door panel to expose the door handle actuating rod. Replace the actuating rod onto the door handle post and reinstall the second small E-clip on this end of the actuating rod.
- 15)** Reinstall the door panel and replace the interior door handle.

### **Adjusting the Sliding Door Latch Pin**

*In most cases, you should not need to adjust the pin location. Improperly adjusting the pin location can interfere with sliding door latch operation and cause premature wear on both the latch catches and/or the latch pin. Test out your sliding door latch prior to adjustment. Before loosening and adjusting the latch pin position, we **strongly** recommend marking your old pin position with a pencil or sharpie in order to track what adjustments you make.*

- 16)** The sliding door latches onto the pin that is threaded into the body below the C-Pillar. This pin position can be adjusted to ensure a better fit with the sliding door latch. Lightly loosening the pin threading will allow it to be moved within a 1" square. For some additional adjustability, a washer can also be added to space the pin further out from the door frame.
- 17)** When the door is closed, the latch catches should hold about halfway along the pin.



**You're Done! Slammin'**