

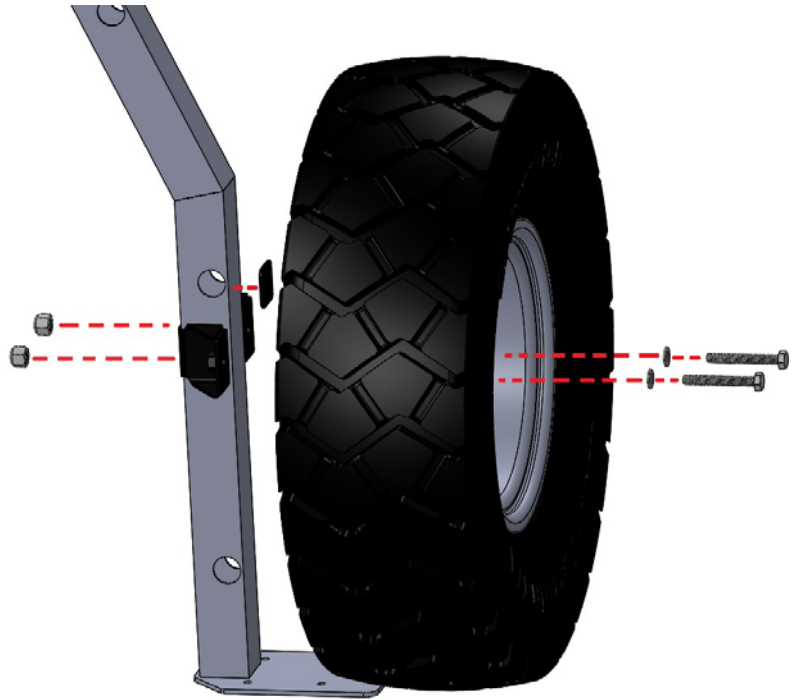


These instructions and the images herein are proprietary. Any unauthorized reproduction is prohibited.

## REV-TIRE-CARRIER

### Reverse Spare Tire Carrier

- Mount the spare tire as shown in the diagram to the right. The diagram shows assembly with a GoWesty Universal Carrier, but assembly with most spare tire carriers works the same way.
- The adhesive pad is only for the Universal Carrier application. Be sure to place the adhesive pad in a location that will protect your wheel from being scratched.
- Snug down the nylock nuts, but do not over tighten them. They are just to be used as a locking mechanism for the bolts.



GoWesty Camper Products • 1119 Los Olivos Ave, Los Osos, CA 93402 • 888-469-3789 • [www.gowesty.com](http://www.gowesty.com)

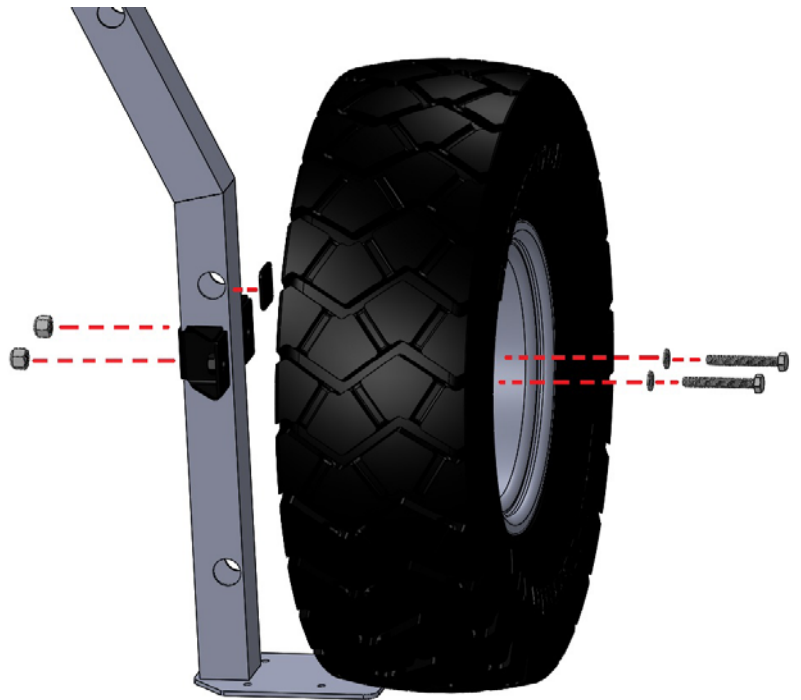


These instructions and the images herein are proprietary. Any unauthorized reproduction is prohibited.

## REV-TIRE-CARRIER

### Reverse Spare Tire Carrier

- Mount the spare tire as shown in the diagram to the right. The diagram shows assembly with a GoWesty Universal Carrier, but assembly with most spare tire carriers works the same way.
- The adhesive pad is only for the Universal Carrier application. Be sure to place the adhesive pad in a location that will protect your wheel from being scratched.
- Snug down the nylock nuts, but do not over tighten them. They are just to be used as a locking mechanism for the bolts.



GoWesty Camper Products • 1119 Los Olivos Ave, Los Osos, CA 93402 • 888-469-3789 • [www.gowesty.com](http://www.gowesty.com)