



These instructions and the images herein are proprietary. Any unauthorized reproduction is prohibited.

GVW-EV-SWING

Swing Away Universal Carrier for Eurovan 1993-2003 Eurovan

Finally! After years developing our Vanagon swing away system, we have now made this system available for your Eurovan! These swing away carriers are designed to work with all Vanagon carrier add-ons and kits.

Installation Note: This kit is design to be used with the [2" Eurovan Hitch Receiver](#) (sold separately).

Misc. Hardware List	Trim Parts		Parts List
10 x 20 mm Washers (9)	3/8" Bolt (1)	Round Plugs (10)	Universal Carrier (1)
8 x 24 mm Washers (13)	3/8" Threaded Bumper (1)	Rubber Bumpers (2)	Upright Arm (1)
8mm Nylock Nuts (6)	Protective Film (1)	Self-Drilling Screws (2)	Swing Tube (1)
8 x 25mm Hex Bolts (5)	Anti-seize Packets (2)	Plastic Screws (5)	Main Tube (1)
M10 x 15 Bolts (6)	Square Plug (1)	Plastic Acorn Nuts (5)	Hitch Strap (1)
M8 x70 Bolts (2)		Rectangular Plug (1)	Hitch Extension (1)
8mm Carriage Bolts (4)			
Latch Parts	Hinge Parts		Strut Parts
5mm Bolts (4)	10 x 130mm Bolt (1)		Strut Ball Studs (2)
5mm Washers (8)	10 x 30 mm Washers (2)		Strut (1)
5mm Nuts (4)	M10 Nylock Nut (1)		
Top Latch (1)	M 18 Washers (3)		
Bottom Latch (1)	Polyurethane Washers (2)		



Installation Note: This kit is designed to be used on either side of your vehicle. The installation below shows a driver's side installation, but the parts can be flipped to function on the opposite side, as well. You can even purchase TWO and have one on each side!

IMPORTANT INSTALLATION NOTE: Use anti-seize compound on all stainless-to-stainless fastener joints.



These instructions and the images herein are proprietary. Any unauthorized reproduction is prohibited.

GVW-EV-SWING

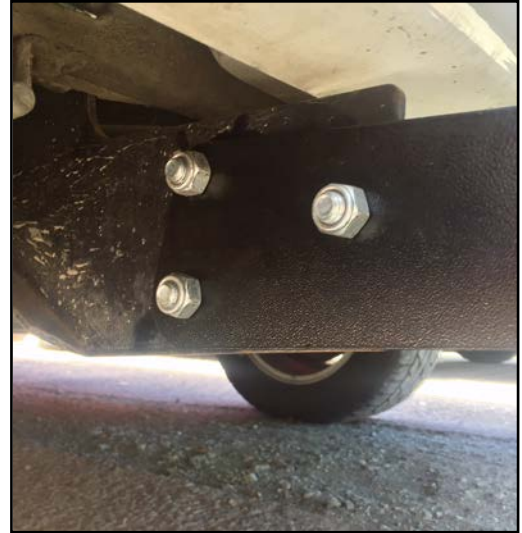
Swing Away Universal Carrier for Eurovan
1993-2003 Eurovan

Installation Instructions

- 1) Remove the bolts on the side of the hitch receiver on which you intend to install your swing away. Reinstall the bolts through the lower support leg and tighten. Slide in the hitch receiver extension.



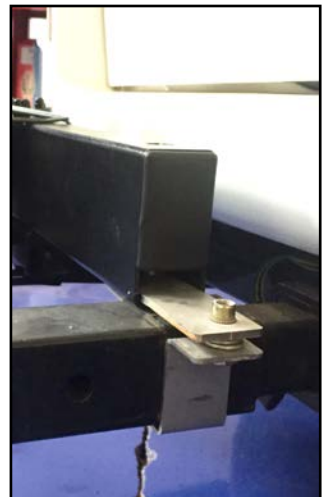
NOTE: This hitch extension is not for towing. Do not use the extension to carry a hitch mount accessory that weighs more than 100 pounds.



- 2) Install the top clamp using the 5mm bolts, washers, and nuts. Use the 3/8" x 3/4" SS bolt to mount the threaded rubber bumper in the latch bracket. If the Ladder Rung Kit (sold separately) is not being used, plug the holes on the sides of the universal carrier with the 10 round plugs provided. Push in the 2"x2" end cap.



- 3) Install the main tube and hitch strap. Fasten M10 bolts through the hitch strap and main tube. These bolts will go through the Westy-shaped holes. If you are installing one side of the system, include three 10mm x 20mm washers on the unused side. Push in the 2"x3" plastic end cap.



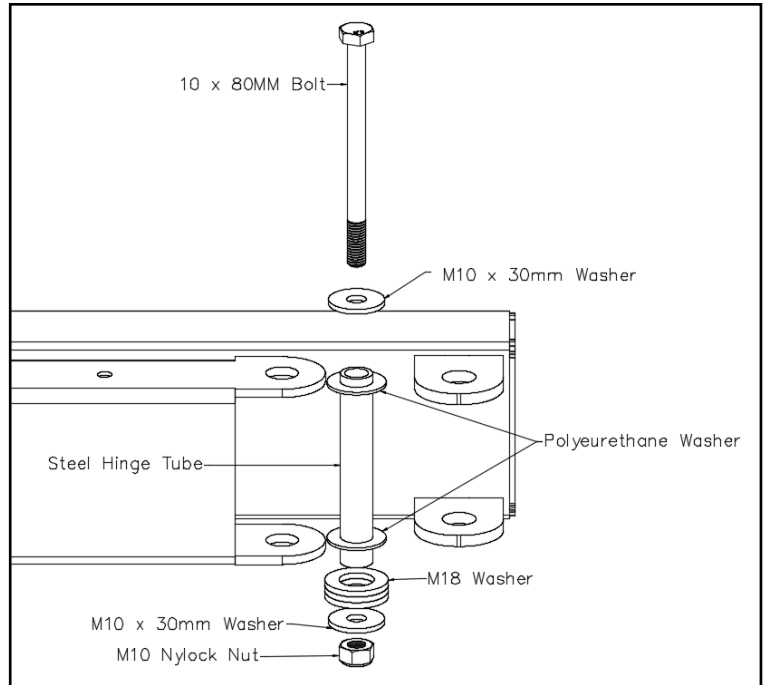
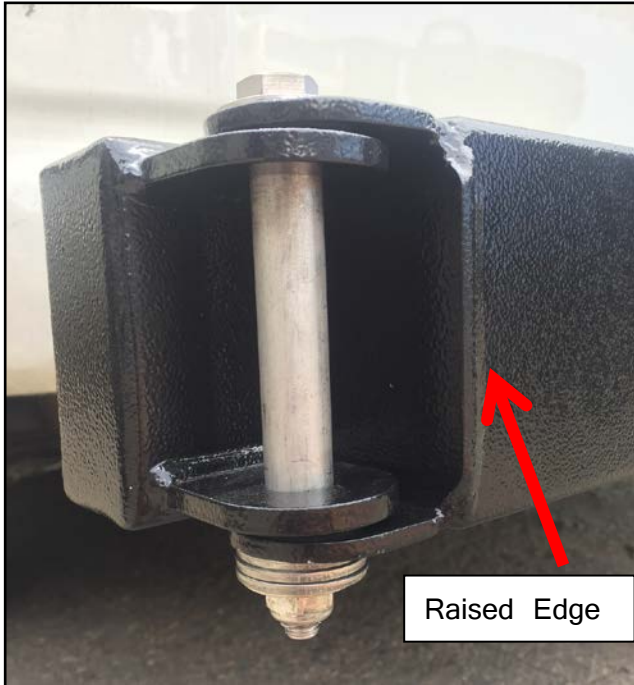


These instructions and the images herein are proprietary. Any unauthorized reproduction is prohibited.

GWW-EV-SWING

Swing Away Universal Carrier for Eurovan
1993-2003 Eurovan

- 4) Mount the arm to the hinge using the long stainless spacer sleeve, bolt, polyurethane washers, 18mm and 30mm washers. You will notice the hinge end of the arm has a small protrusion on one side; this side should face **OUT** with arm in closed position. The protrusion acts as the limiting stop at the end of the arm's travel. The poly washers go between the arm and the hinge plate. Tighten the 10mm nut and bolt until snug. **DON'T FORGET THE ANTI-SEIZE!**



- 5) Install the upright arm and latch plate using the 8mm through bolts, washers, and nuts. Screw one additional 8mm bolt through the latch plate into the riv nut in the upright arm. Attach the bottom latch using the 5mm bolts, nuts, and washers. Install the rubber stops into the upright arm using the self-drilling screws. Finally, install the plastic bumper screws into the plastic acorn nuts. Open the swing arm and snap the strut on, attaching the piston end of the strut to the swing arm and the strut to the bumper.





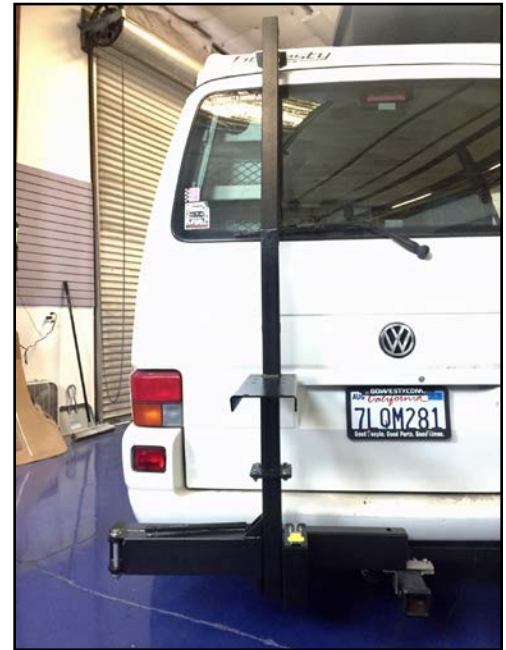
These instructions and the images herein are proprietary. Any unauthorized reproduction is prohibited.

GWW-EV-SWING

Swing Away Universal Carrier for Eurovan

1993-2003 Eurovan

- 6) Install the universal carrier using the four 8mm bolts, nuts, and washers. Apply the protective film underneath the latch mounting point on the Eurovan body.



That's It!

IMPORTANT INSTALLATION NOTE: USE ANTI-SEIZE COMPOUND ON ALL STAINLESS-TO-STAINLESS FASTENER JUNCTIONS! When installing stainless fasteners together, they tend to bind up. When this happens, there is usually no recourse except to cut them off and start over with fresh fasteners. Using Anti-Seize Compound prevents this from happening, so don't skimp on the anti-seize and don't forget it!

Usage Tips:

- Note: Hang on to all four 8mm Carriage Bolts, Washers, and Nuts to mount accessories (sold separately).
- When closing the swing away, watch the upper latch plate at the top of the universal carrier. If your swing arm is lightly loaded, you may need to push down on the universal carrier's extension tray to keep the latch plate from contacting the top of the hatch.