

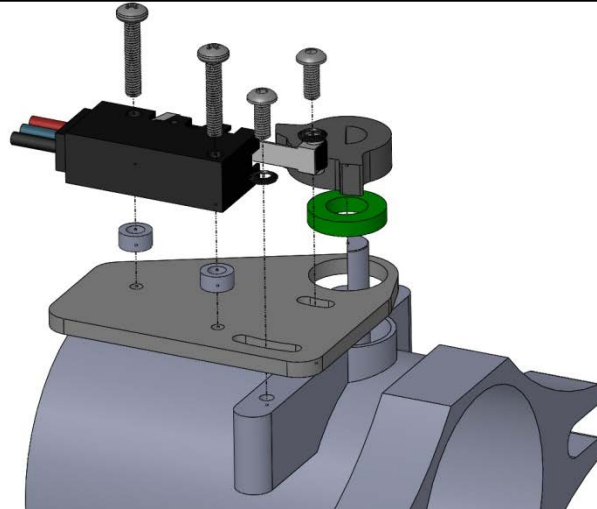


GVW-MECH-TPS

Stock TPS Replacement for 1985-91 Vanagon

Tools Needed

- #1 Phillips Bit Screwdriver
- T10 Torx Bit Screwdriver



Installation Instructions:

1. Remove the original throttle position switch (TPS) from the throttle body. Refer to the above diagram for a full exploded view of the new TPS assembly. Install the micro switch assembly as shown in figure 1 below. Be sure to use the provided Loctite on both machine screws.
2. Place the plastic cam on the throttle body shaft as shown in figure 3. Do not put the original locking washer over the cam just yet.
3. Fasten the TPS backing plate to the throttle body using the bottom machine screw only. Leave the machine screw slightly loose and adjust the TPS so that the micro switch opens just after the throttle valve is opened. Tighten the bottom machine screw to secure the proper adjustment. Be sure to use Loctite on this machine screw (shown in Figure 4).
4. Remove the cam and install the top machine screw. Again, be sure to use the Loctite (shown in figure 5).
5. Re-install the plastic cam and 6. Reuse your original cam locking washer to hold the cam in place.
7. Use the included adel clamp to act as a strain relief and secure the TPS switch wires to the mounting location on the intake manifold (the same spot where the original wires were secured).

