



These instructions and the images herein are proprietary. Any unauthorized reproduction is prohibited.

## GVW-ALT-MONSTER Alternator Support Bracket

### INSTALLATION

NOTE: YOU MUST HAVE THE GOWESTY ALTERNATOR BRACKET FIX KIT INSTALLED FIRST

1. Remove the alternator (see Bentley manual).
2. Remove the 2 nuts securing the coolant elbow below the alternator bracket while pressing the elbow against the block (so coolant doesn't leak out).
3. Install the alternator support bracket and loosely tighten the 2 shoulder nuts with washers against the coolant elbow as shown in Fig 1.

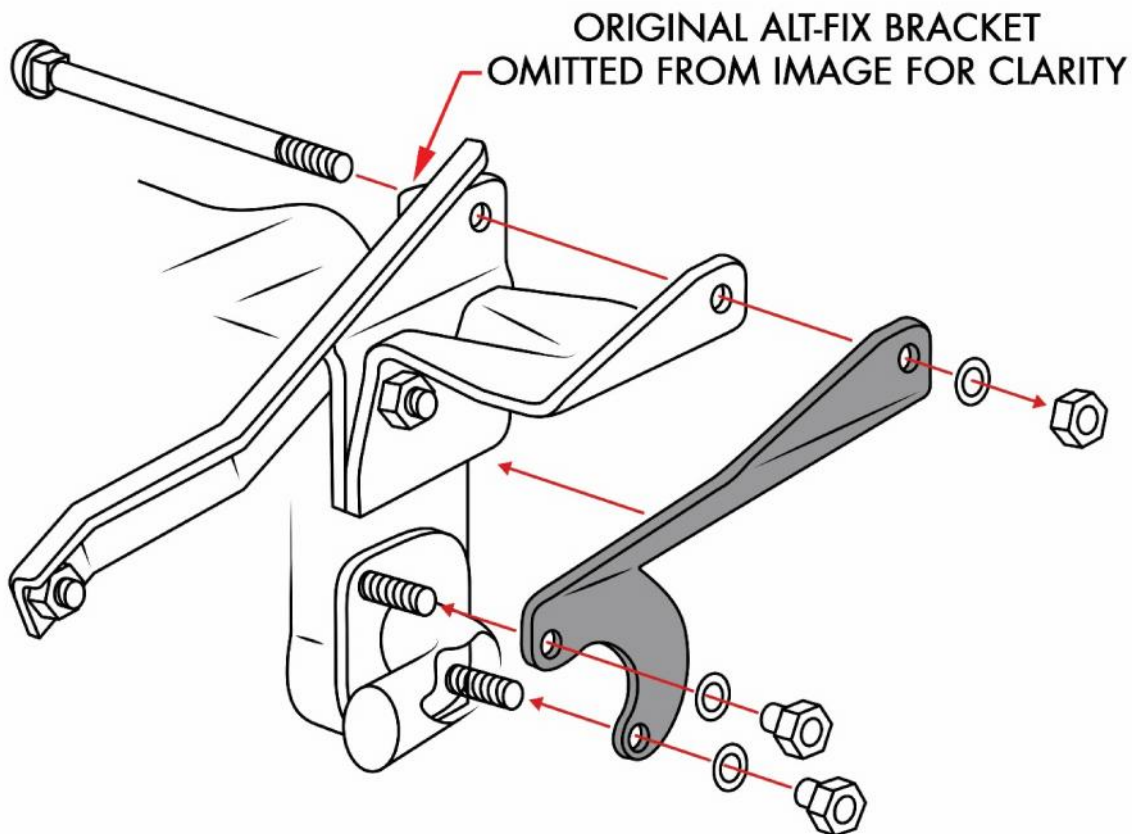


Figure 1: Alternator Support Bracket Assembly

4. Reinstall the alternator using the longer bolt. Tighten the 2 lower nuts against the coolant elbow (don't exceed 20 ft lbs).