



These instructions and the images herein are proprietary. Any unauthorized reproduction is prohibited.

GVW-251-407-183

GoWesty Lower Control Arm Bushing

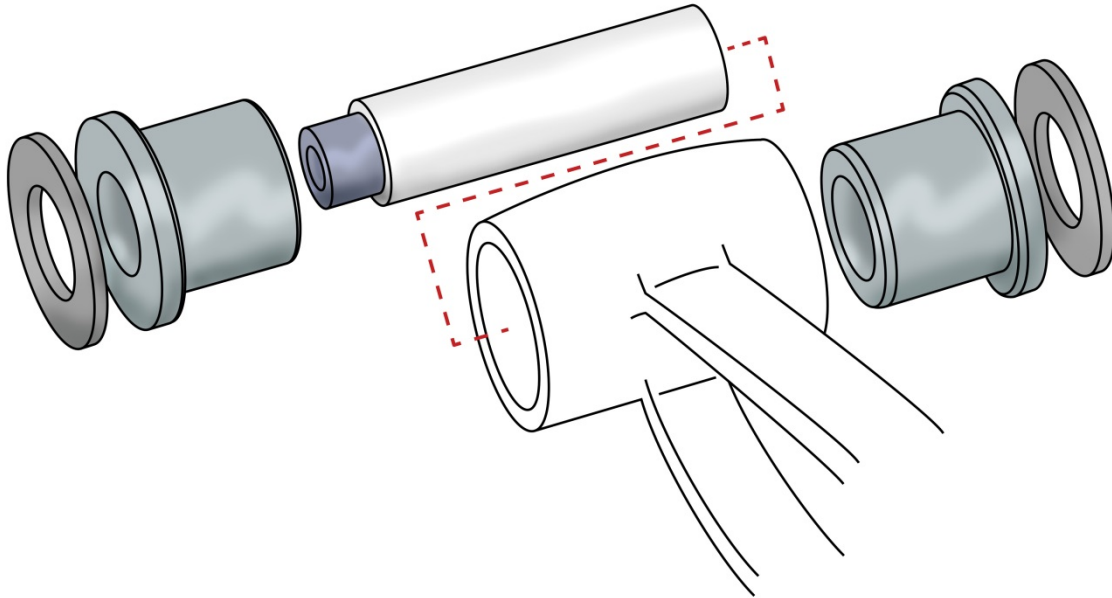


Figure 1: LCA Bushing (Exploded View)

INSTALLATION

1. Remove LCA (lower control arm) bolt.
2. Press out LCA bushing (done easily with our Bushing Removal/Install tool, sold separately).
3. Install new GW bushing as shown in Fig 1. There's no need to add any grease. **Pro tip:** Glue the washers (using included epoxy) to the ends of the poly bushings to keep them in place during installation.
4. Tighten LCA bolt to 65 ft lbs.
5. Get your van aligned.
6. Enjoy your squeak-free bushings!