



These instructions and the images herein are proprietary. Any unauthorized reproduction is prohibited.

GVW-106-G

Eclipse Sunshade for Eurovan Winnebago Galley Window

The Eurovan Winnebago conversions came with some of the most frustrating blinds ever invented installed in the window over the galley and the rear passenger side window. They are a pain to adjust, flimsy and expensive to replace when parts break. This kit installs some easy to use accordion style blinds that are far superior to the factory-installed units.

Tools Needed

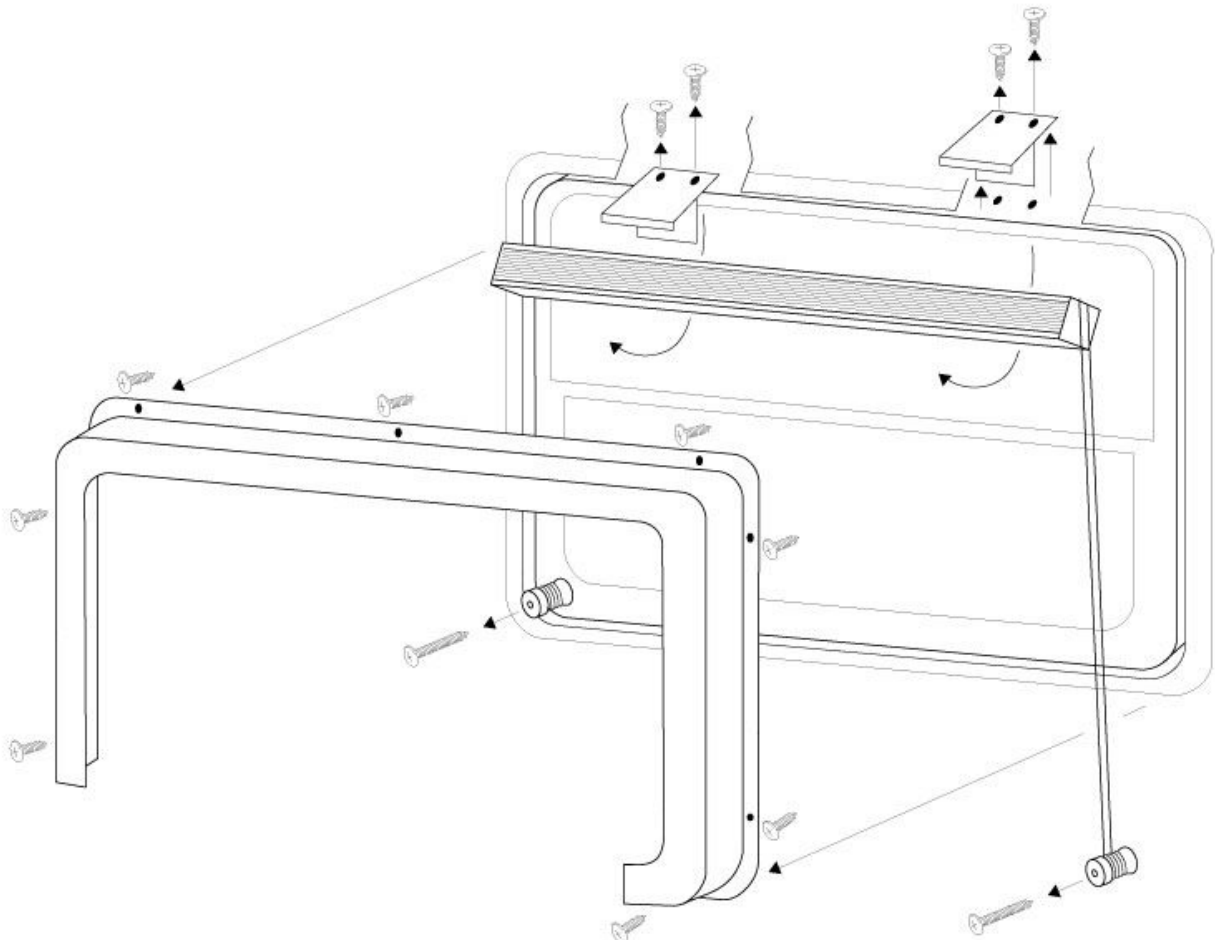
- Phillips screwdriver
- Drill and 7/64" drill bit
- Phillips head bit
- Pliers or vise-grips

DISCLAIMER: *This kit has been designed for easy installation. However, the installation of this kit is not within everyone's ability. Read through these instructions carefully and decide if installing it is for you. If not, please take your vehicle to an installation professional.*

INSTALLATION

Use the diagram below as a guide for the following steps.

1. Remove the frame around the window via the 8 Phillips head screws.
2. Remove the blind from its mounting brackets by twisting the blind out and down.
3. Remove the two winding barrels and unthread them out of the frame.
4. Remove the brackets that held the blind. This can be accomplished with a *very* short screwdriver, or a Phillips head bit along with pliers or vice-grips.



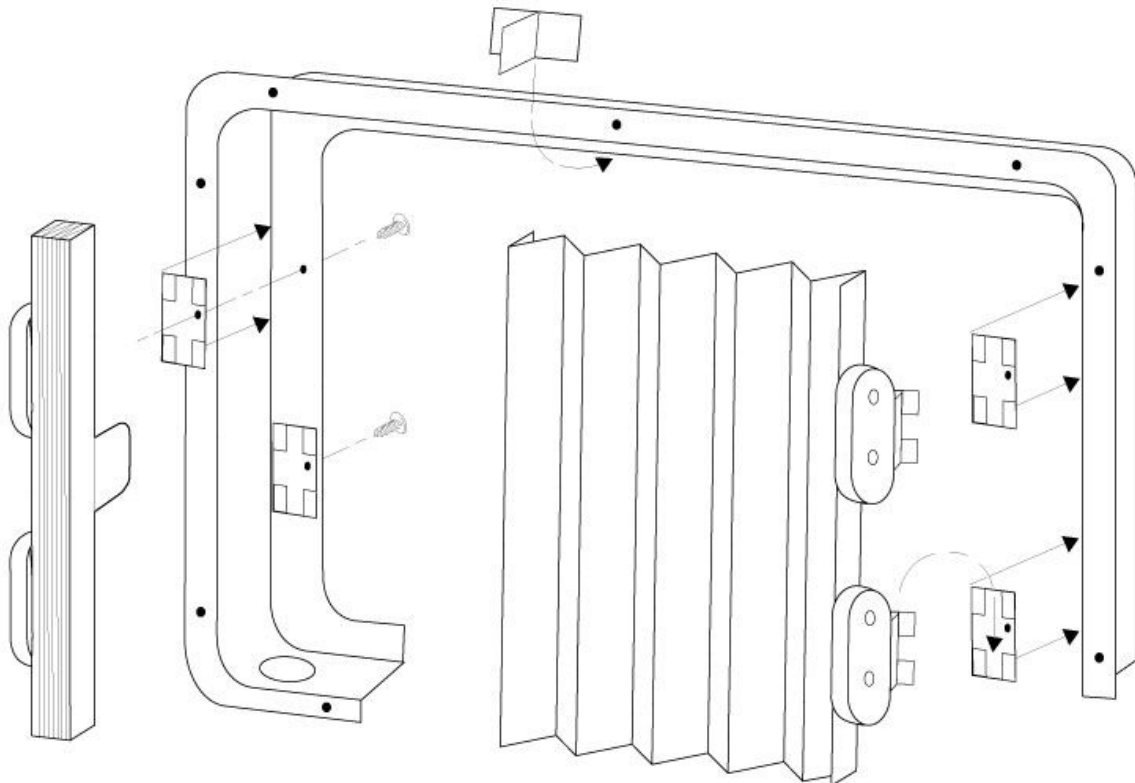


GVW-106-G

Eclipse Sunshade for Eurovan Winnebago Galley Window

Now move to the back of the window frame. You will be attaching the new sunshade to the backside of the window frame (the side that faces the window). Use the image below as a reference for the following steps.

5. Separate the two sides of the new blind, and slide the adhesive backed feet down onto each of the side brackets (do this for each side of the blind).
6. Clean the backside of the frame with the included alcohol prep pad.
7. Install the small Velcro "T" to the center of the top, backside of the frame, right at the lower edge of the opening.
8. Adhere the blind to the frame. The feet need to be placed up against the outer-most edge of the frame (pay attention that the pull tabs will be facing to the inside of the van once the frame is re-installed). The top edge of the blind should go just far enough past the top edge of the opening to fully engage the Velcro "T" that was installed at the center of the frame.
9. Once the blind has been set properly, slide the blind up off of the feet.
10. Drill a 7/64" pilot hole through both the foot and frame in the location shown in the diagram, and thread the provided screw from the front of the frame through this hole to permanently attach the foot. **NOTE: Be sure to check the screw location against where the blind leg slides into the foot, so that it does not interfere.**



That's it, you're done!