

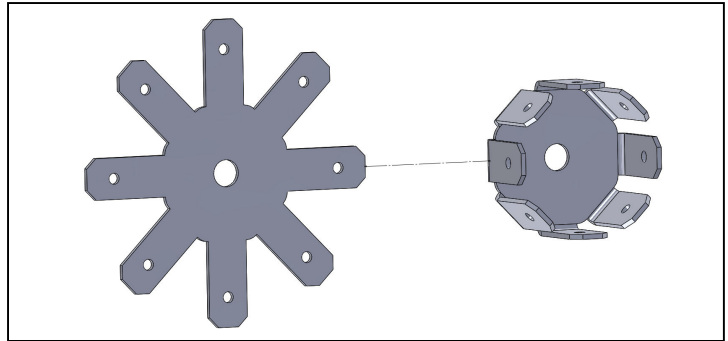


These instructions and the images herein are proprietary. Any unauthorized reproduction is prohibited.

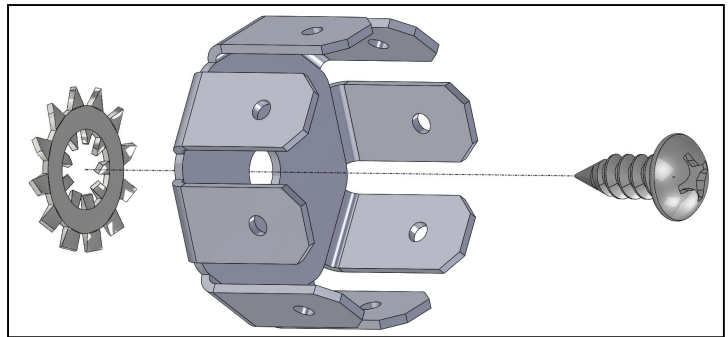
GROUND-TREE

Replacement Ground Tree [Vanagon '80-'91]

1. Bend each tab on the flat ground tree by 90° as shown in the picture to the right. These tabs can be bent by hand or with a pair of pliers (we prefer to bend them by hand).



2. The ground tree then installs in the stock location using the supplied screw and serrated washer (see diagram).



GoWesty Camper Products • 1119 Los Olivos Ave, Los Osos, CA 93402 • 888-469-3789 • www.gowesty.com

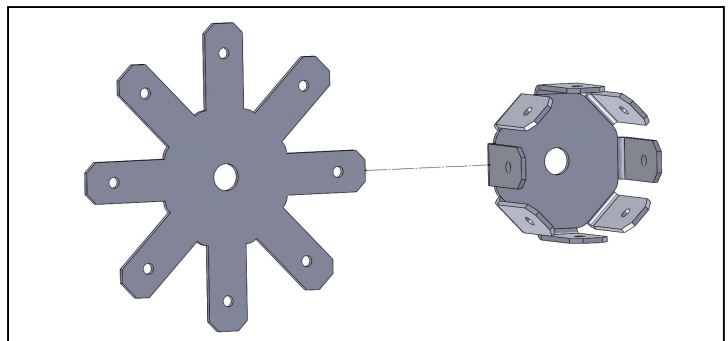


These instructions and the images herein are proprietary. Any unauthorized reproduction is prohibited.

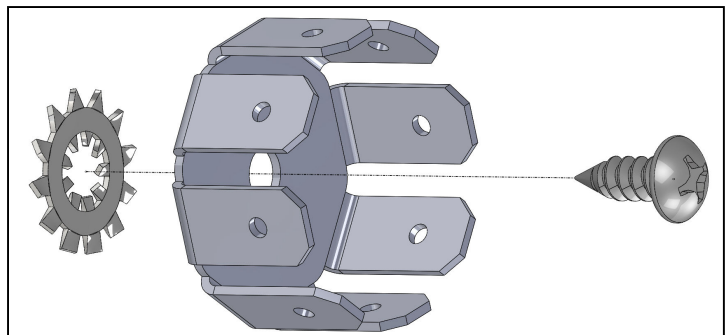
GROUND-TREE

Replacement Ground Tree [Vanagon '80-'91]

1. Bend each tab on the flat ground tree by 90° as shown in the picture to the right. These tabs can be bent by hand or with a pair of pliers (we prefer to bend them by hand).



2. The ground tree then installs in the stock location using the supplied screw and serrated washer (see diagram).



GoWesty Camper Products • 1119 Los Olivos Ave, Los Osos, CA 93402 • 888-469-3789 • www.gowesty.com