

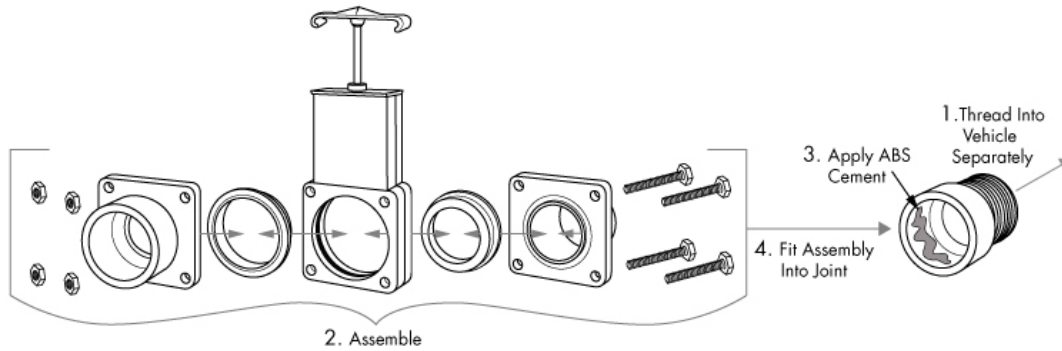


These instructions and the images herein are proprietary. Any unauthorized reproduction is prohibited.

EVC-WASTE-KIT

Grey Water Valve For Eurovan Winnebago Campers

For installation, refer to the following diagram and complete steps 1-4 in order:



Installation Notes:

- Disassembly of the original grey water valve is required for removal. Detach the valve portion by removing the 4 bolts and nuts from the corners of the square flange before unthreading the pipe fitting from the tank.
- Applying some sealant (RTV silicone or PTFE tape) to the threads of the new tank fitting is a good way to ensure water will not leak through the threads (this is optional and may not be necessary).
- The 2" cap from the original grey water valve can be used on this new assembly, as well as any other unthreaded 2" cap (found at most hardware stores).

GoWesty Camper Products • 1119 Los Olivos Ave, Los Osos, CA 93402 • 888-469-3789 • www.gowesty.com

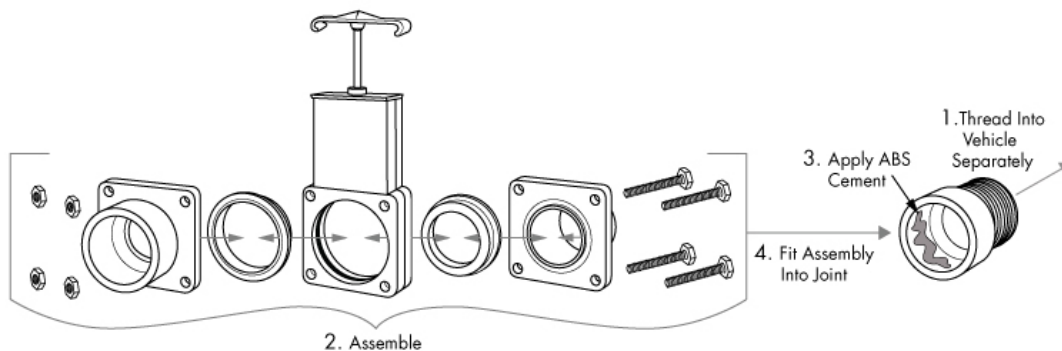


These instructions and the images herein are proprietary. Any unauthorized reproduction is prohibited.

EVC-WASTE-KIT

Grey Water Valve For Eurovan Winnebago Campers

For installation, refer to the following diagram and complete steps 1-4 in order:



Installation Notes:

- Disassembly of the original grey water valve is required for removal. Detach the valve portion by removing the 4 bolts and nuts from the corners of the square flange before unthreading the pipe fitting from the tank.
- Applying some sealant (RTV silicone or PTFE tape) to the threads of the new tank fitting is a good way to ensure water will not leak through the threads (this is optional and may not be necessary).
- The 2" cap from the original grey water valve can be used on this new assembly, as well as any other unthreaded 2" cap (found at most hardware stores).

GoWesty Camper Products • 1119 Los Olivos Ave, Los Osos, CA 93402 • 888-469-3789 • www.gowesty.com