



These instructions and the images herein are proprietary. Any unauthorized reproduction is prohibited.

GWV-CRANK-LOCK-TOOL

Crankshaft Lock Tool for Waterboxer Engine

The GoWesty Crank Lock Tool is made to lock the crankshaft on waterboxer Vanagons to aid in removal of the crank pulley. The tool must be set up for either automatic or manual transmissions. This tool also acts as a socket holder to assist in correctly tightening the torque converter bolts on vans with automatic transmissions.

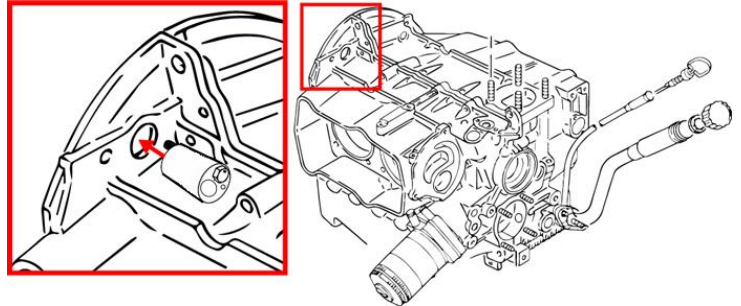
Tools Needed

- Torque Wrench (3/8" Drive)
- Socket Wrench (3/8" Drive)

DISCLAIMER: Disclaimer: This tool should only be used by a competent mechanic. Make sure you understand exactly how to use this tool before attempting to use it. Misuse of this tool can cause serious damage.

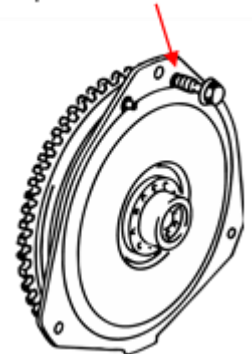
Hardware List

- (1) Crank Lock Tool
- (1) 13mm Semi Stubby Socket
- (1) M8x45mm Bolt
- (1) M10x45mm Bolt



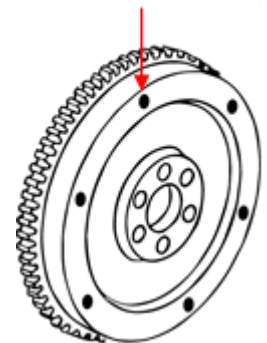
AUTOMATIC TRANSMISSION USE: Insert the 13mm socket into the tool and insert the tool into the engine case as detailed above. Rotate the engine to align the socket with one of the torque converter bolts, then remove one of the torque converter bolts from the flex plate/torque converter. Insert the 8mm bolt into the smallest hole on the tool. Thread ALL of the exposed threads into the torque converter and tighten the bolt slightly. Make sure that all of the threads are being used and that the plastic cylindrical housing is sitting flat against the flex plate. The crank is now locked. Remember to reinstall the original flex plate/torque converter bolt after use and tighten it to **30 Nm (22 ft·lb)**. We strongly recommend using the tool and socket to ensure you get the correct torque on these bolts. **Always use [new bolts and Loctite](#) when reinstalling torque converter bolts.**

Torque Converter Bolt



MANUAL TRANSMISSION USE: Align the crank so that one of the holes in the flywheel aligns with the edge of the engine case hole. Insert the flywheel lock tool into the engine case hole and slide the 10mm bolt through the tool and into the flywheel. Make sure that the tool is flush with the flywheel and the bolt is fully inserted.

Flywheel Hole



Note: When using this tool ensure that the locking bolt is on the side of rotation. For example, if you are turning the engine clockwise, the locking bolt should be oriented on the right side of the tool.

NOTE: In very rare circumstances the hole in the engine case may be misshaped or have casting imperfections that will prevent the plastic flywheel lock tool from fitting. In these situations, either the engine case hole or the flywheel tool may need to be filed accordingly to make clearance for this tool.

You're Done!

