



These instructions and the images herein are proprietary. Any unauthorized reproduction is prohibited.

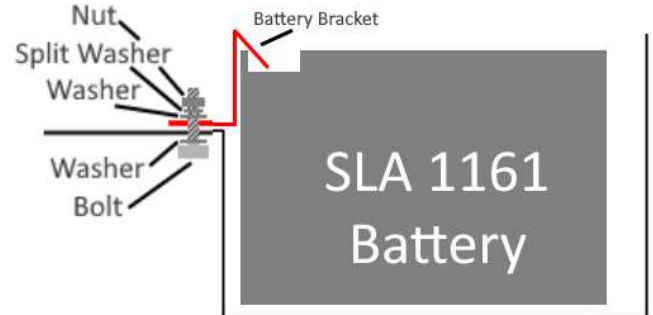
AUX-STN-1161-BRKT

Battery Mounting Kit for Vans without Swivel Seat

1980-1992 Vanagon

This kit is intended to mount an **SLA 1161** battery under your driver seat (non-swivel).

1. Slide the driver's seat all the way forward and tape the box lid open
2. Place the battery into the box on its side with the terminals on top and facing the front of the van.
3. Poke out the backing sticker for the bolt hole.
4. From under the van insert the included M8 bolt with washer through the hole, then set the bracket on followed by a washer, split washer, and finally the included M8 nut.
5. Tighten everything down, give the battery a shake, and tighten one last time.



GoWesty Camper Products • 1119 Los Olivos Ave, Los Osos, CA 93402 • 888-469-3789 • www.gowesty.com



These instructions and the images herein are proprietary. Any unauthorized reproduction is prohibited.

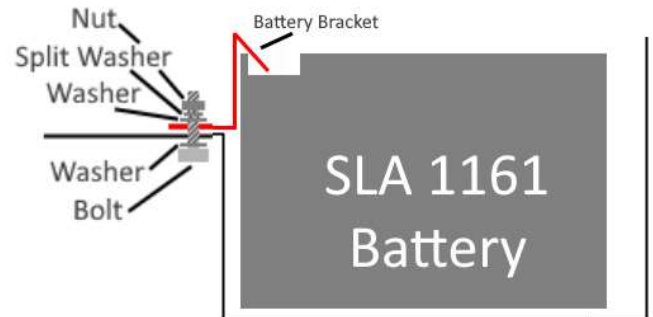
AUX-STN-1161-BRKT

Battery Mounting Kit for Vans without Swivel Seat

1980-1992 Vanagon

This kit is intended to mount an **SLA 1161** battery under your driver seat (non-swivel).

1. Slide the driver's seat all the way forward and tape the box lid open
2. Place the battery into the box on its side with the terminals on top and facing the front of the van.
3. Poke out the backing sticker for the bolt hole.
4. From under the van insert the included M8 bolt with washer through the hole, then set the bracket on followed by a washer, split washer, and finally the included M8 nut.
5. Tighten everything down, give the battery a shake, and tighten one last time.



GoWesty Camper Products • 1119 Los Olivos Ave, Los Osos, CA 93402 • 888-469-3789 • www.gowesty.com