



These instructions and the images herein are proprietary. Any unauthorized reproduction is prohibited.

GW-HUBCAP-MOUNT-KIT

GoWesty Hubcap Clip

Compatible with GoWesty GVW-1525 Steel Wheels

Give your vintage van the vintage look with original-style VW chrome hubcaps! This kit allows you to install chrome hubcaps on our current model 15" steel wheels. No cutting or drilling is required, simply bolt on the clips and snap your hubcaps into action! Hubcaps & steel wheels sold separately.

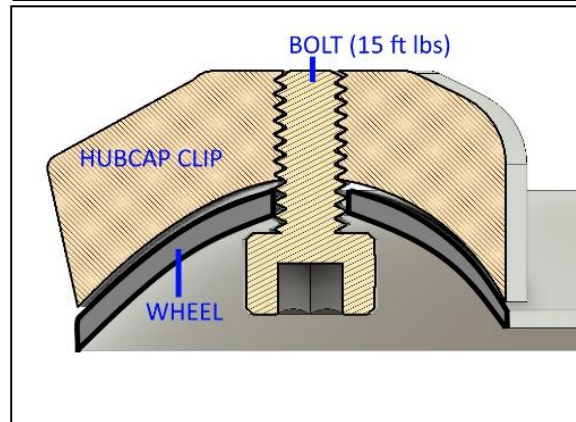
Tools Required	Hardware
<ul style="list-style-type: none">5mm Allen Key	(12) Hubcap Clips (12) M6-1x12mm Hex Head Bolts (2ml) Red Thread Locker

This kit is only intended to be used with 15" GoWesty late-style steel wheels (PN:GVW-1525).

You can verify that your wheels are compatible by looking for (3) mounting holes in the center ring, circled in red in the picture on the right:

Installation:

Loosely bolt on the clip from the backside, then press the clip outward as you tighten the bolt to its final torque. We recommend a dab of thread locker and a torque of 15 ftlbs for the bolts. Do one wheel at a time and test fit a hubcap in case the clip needs slight adjustment before the thread sealer sets fully. Make sure that the "fat" side of the clip is facing outward on the wheel as shown below:



to snap on, here are a few things to try:

- The holes in the wheels are *slightly* oversized for the bolts in this kit. That allows for minor adjustments to be made. If the hubcaps seem too tight, the clips can be loosened and moved inboard slightly before they are torqued down again.
- If you are installing a used hubcap, it can be helpful to try rotating the hubcap to find the best position. Many used hubcaps are slightly out of round, and have one orientation that fits the most easily.
- Some grease or lubricant on the clips can help the hubcap slide over them.
- As a last resort a LIGHT tap from a rubber mallet on the rim of the hubcap can gently seat it into place.

If you are having issues getting the hubcaps